

4 dimmer outputs extension module (4x500W)

FIGURE A

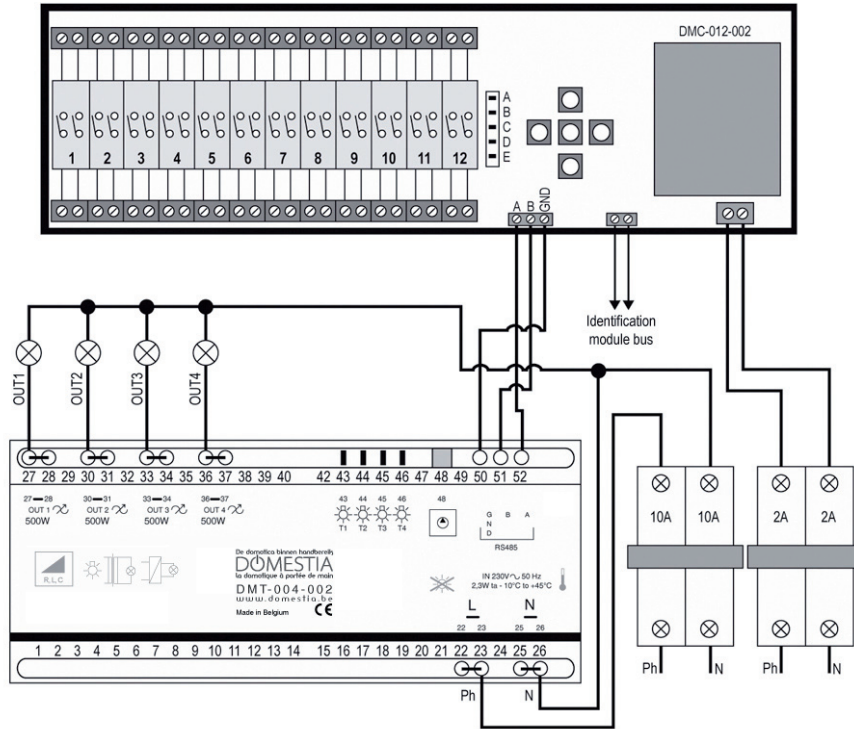
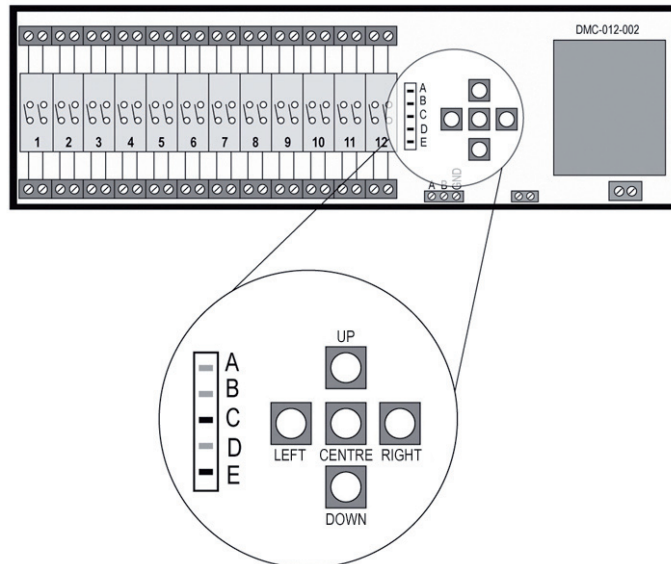


FIGURE B



CONTACT
 Rue Hector Denis 114
 4420 Montegnée - BELGIUM
 Phone: +32 4 372 07 16
 Fax: +32 4 372 07 19
 www.domestia.be
 info@domestia.be

1. INSTALLATION

A 4 dimmer output extensions module is designed to function as a slave with at least one DMC-012-002 card. In the example in Figure A, the DMC-012-002 motherboard occupies addresses 1 to 12 and the DMT-004-002 module occupies addresses 13 to 16.

Your installation may contain up to 48 outputs to be distributed according to your requirements :

Card Type	Outputs used
DMC-012-002	12
DMC-004-002	4
DMT-004-002	4
DMA-004-002	4

2. OPERATING

The relevant output will be dimmed as soon as you press on the push button (PB). Press the PB briefly when the output is "lit" to switch it on. Press the PB briefly when the output is "switched on" to "light up" the output to the last light contacted to that output.

3. ADDRESSING

3.1. Steps to be followed to configure the DMT-004-002 card

- I. Switch off the power to the extension module.
- II. Using a flat thin screwdriver, turn the decimal switch on the circuit, which is accessible through the slot on the case, to the position of your extension module (see below).

DMT-004-002 decimal switch	Output range
1	From 13 to 16
2	From 17 to 20
3	From 21 to 24
4	From 25 to 28
5	From 29 to 32
6	From 33 to 36
7	From 37 to 40
8	From 41 to 44
9	From 45 to 48

- III. Reconnect the power to the extension module.

3.2. Steps to be followed to configure the DMC-012-002 master card

- I. Switch off the power to the master card.
- II. Hold the RIGHT button down while reconnecting the power to the card. LEDs A, B and E must be lit up. If that is not the case, use the UP and DOWN buttons until LEDs A, B and E lit up.
- III. Using the RIGHT and LEFT buttons and LEDs 1 to 4, select the number of outputs that you have on the installation.

DMT-004-002 decimal switch	DMC-012-002 lit LEDs
1	1, 2
2	1, 2
3	1, 2
4	1, 2, 3
5	1, 2, 3
6	1, 2, 3
7	1, 2, 3, 4
8	1, 2, 3, 4
9	1, 2, 3, 4

- IV. Validate using the CENTRE button.

4. PROGRAMMING

Go to relay mode, with LEDs C and E lit (as in Figure B, see DMC-012-002 motherboard).

Once you have chosen the Relay mode, use the RIGHT and LEFT buttons (of the motherboard) to choose the output and validate it by pressing the CENTRE button. The LED of the selected dimmed output stops blinking and the power supply is sent to the output.

You then have to go to the room in question and press on the PB that runs this output.

By pressing on the selected push button, the power supply is interrupted momentarily at that point: which means that the addressing is recorded. Repeat the operation for each push button that you want to combine at that same point.

When you have selected all the PBs running this output, the addressing is recorded. You can then move on to the next output and repeat the operation.

5. TECHNICAL DETAILS

The DMT-004-002 lets you to dim the following types of lighting:

- Incandescent light bulb.
- BT Halogen lamps (230V).
- TBT halogen lamps (12V or 24V) using a magnetic or electronic transformer.

Electrical Characteristics

- Power supply: 230VAC / 50Hz.
- Power consumption (no load) 2.30 W.

Operating Instructions

- 230 V halogen and incandescent lamps: 20 W to 500 W.
- TBT halogen lamps via magnetic transformer: 20VA to 500 VA.
The transformer must never be used at less than 75% of its charge.
- TBT halogen lamps via electronic transformer: 25VA to 500 VA.
The performance of the transformers must be taken into account to calculate the maximum number of lamps.

Operating temperature

- Storage: -30°C to +65°C.
- Operating: -10°C to +45°C.

6. ADDITIONAL FEATURES

For any specific request, such as: dimming charges over 500 W per outlet, please send us preliminary plans by e-mail to info@domestia.be, and we will answer within 2 business days.

7. WARRANTIES

WARRANTY CONDITION

The basic warranty for your product is 2 years from the date your order is received. Please make sure you keep your invoice, with the serial number safely, as it is the only document that acts as a guarantee in case of any problem.

The warranty does not apply in the following cases :

- Damage caused by inappropriate use, incorrect use, poor maintenance or not-respecting the instructions given by the manufacturer. Attempted repairs by the customer or by a non-authorized third party. Damage caused by accidents, force majeure or other causes for which Domestia may not be held responsible.
- Any fault not resulting from the correct operating or good use of the material.

8. STANDARDS

8.1. EMISSION

- EN 55022 class B emission.
- 30-100MHz radiated emission.
- 230V 150k-30MHz AC conducted emission.
- Disturbing current emission on the 150k-30MHz bus (current tester).
- EN 61000-3-2 Harmonic emission to 2kHz.
- EN 61000-3-3 flicker emission.

8.2. IMMUNITY TESTS

8.2.1. Housing

- EN 61000-4-2 8kV/air electrostatic discharges (insulator part = casing) in criteria B.
- EN 61000-4-3 immunity test on RF 80MHz-2GHz 10V/m fields in criteria B.

8.2.2. 230V AC Lines

- EN 61000-4-4 2kV burst in criteria B.
- EN 61000-4-5 2kV shock wave between phase and earth, 1kV between phases, all in criteria B.
- EN 61000-4-6 induced signals due to RF 150kHz-80MHz 3V fields in criteria A or 10V in criteria B.
- EN 61000-4-11 70%U voltage variations during 3 x 0.3s, then 0%U during 3 x 0.1s in criteria B.

8.2.3. Sector Tests

- 1996 EN50090-2-2 + A1 2002.
- EN 60664 – 1 circuit insulation.