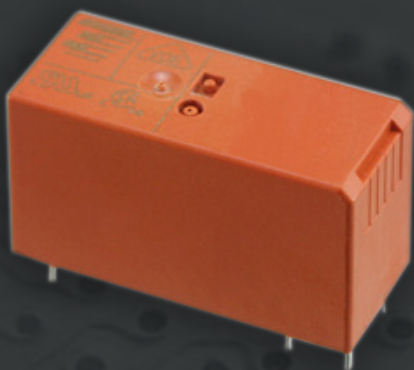




MANUAL

DMR-001-016



www.domestia.be



In the example given above, relay 1 is a single-pole relay of 16A and relays 2 to 12 are the original 8A bipolar relays.

Warning ! As shown in the diagram, the 2 studs are bridged internally in the single-pole relay.

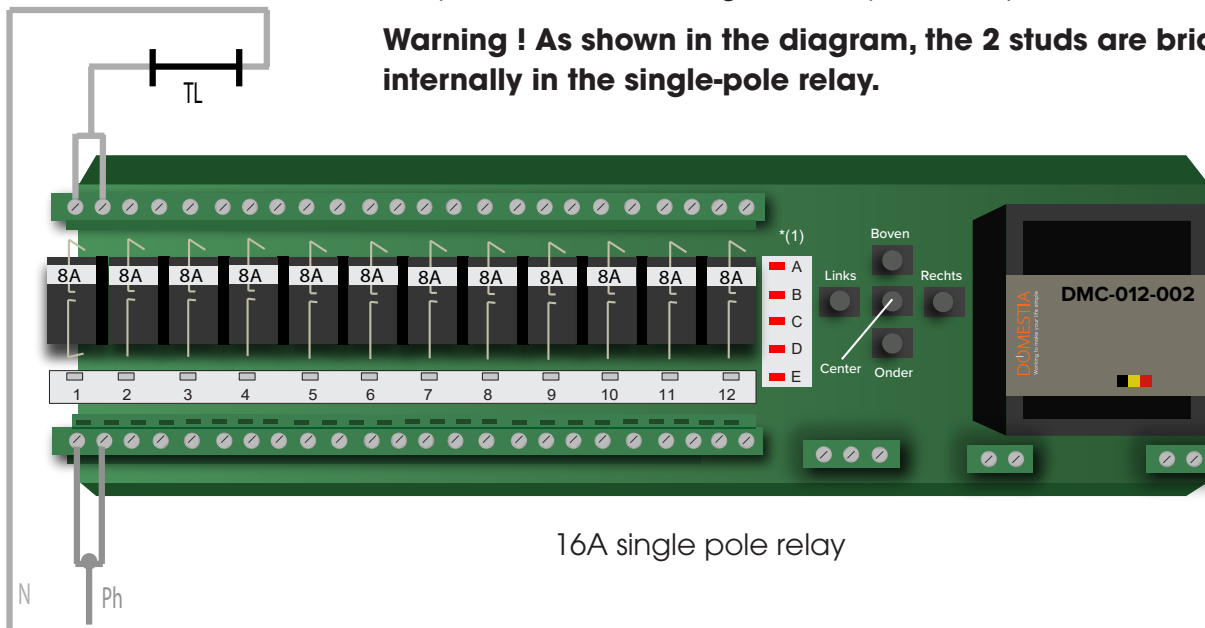


FIGURE A

1. INSTALLATION

The single pole relay is compatible with the base of the DMC-012-002 card.

To install it, please follow the following procedure:

- Switch off the circuit breaker assigned to the relay to be modified.
- Remove the caliper.
- Remove the relay currently in the base.
- Position the unipolar relay, taking care not to bend the legs of the latter.
- Modify the wiring to work in "Unipolar".
- Reset the circuit breaker assigned to the relay to be modified.

2. TECHNICAL CHARACTERISTICS

- Electrical insulation between coil and contact: 5000Vrms.
- Insulation between open contacts: 1000Vrms.
- Working current: 16A.
- Instantaneous breaking current: 80A.
- Upper isolation space: 10mm.

3. GUARANTEES

WARRANTY CONDITION

The basic warranty period for your product is 2 years from the date of receipt of your order.

Whatever the problem with your item, keep your invoice, with the serial number, as this is the only document that serves as a guarantee.

The warranty does not apply in the following cases:

- Damage caused by improper use, abuse, misuse maintenance or failure to comply with the instructions given by the manufacturer in the instructions for use. Repair attempts made by the customer or by a unauthorized third party. Damage caused by accidents, force majeure or other causes for which Domestica cannot be held responsible.
- Defect in no way affecting the proper functioning or proper use of the equipment.

4. STANDARDS

- EN 60730-1 (VDE 0631, part 1).
- EN 60335-1 (VDE 0700, part 1).
- UL, CUR file E44211.
- VDE file 40006031.

DOMESTIA

Rue Hector Denis 114
4420 Montegnée
Belgium

Tel +32 4 372 07 16

Fax +32 4 372 07 19

info@domestia.be

