

USERS MANUAL

DMD-004-001 | EXTENSION MODULE 4 OUTPUTS DALI BROADCAST





1. DESCRIPTION

The module DMD-004-001 allows you to pilot lights compatible with the standard DALI.

The DMD-004-001 functions like 4 DALI controls but only sends **broadcast commands** through the bus.

- All the lights connected to the same bus receive the same commands.
- The lights do not need to be addressed.
- Every DALI bus is programmed as an individual output.

The DALI buses do not need any supplementary DALI supports.

2. CONNECTIONS

The extension module 4 outputs DALI DMD-004-001 will function in « slave » mode with :

- **The module Relay outputs DMC/DKS-012-002**
- **One DMC/DKS-008-001 card**
- **The command module DME-LAN**

The extension module 4 outputs DALI DMD-004-001 can also function in « stand alone » being piloted directly by the PB(s) free of potential. (Figure C)

For the connection with the module DMC(DKS)-012-002, refer to the drawing figure A.

For connection and programming with an 8 relay output card DMC/DKS-008-001 or a DME-LAN-002 control board, please refer to the operating instructions of the relevant modules.

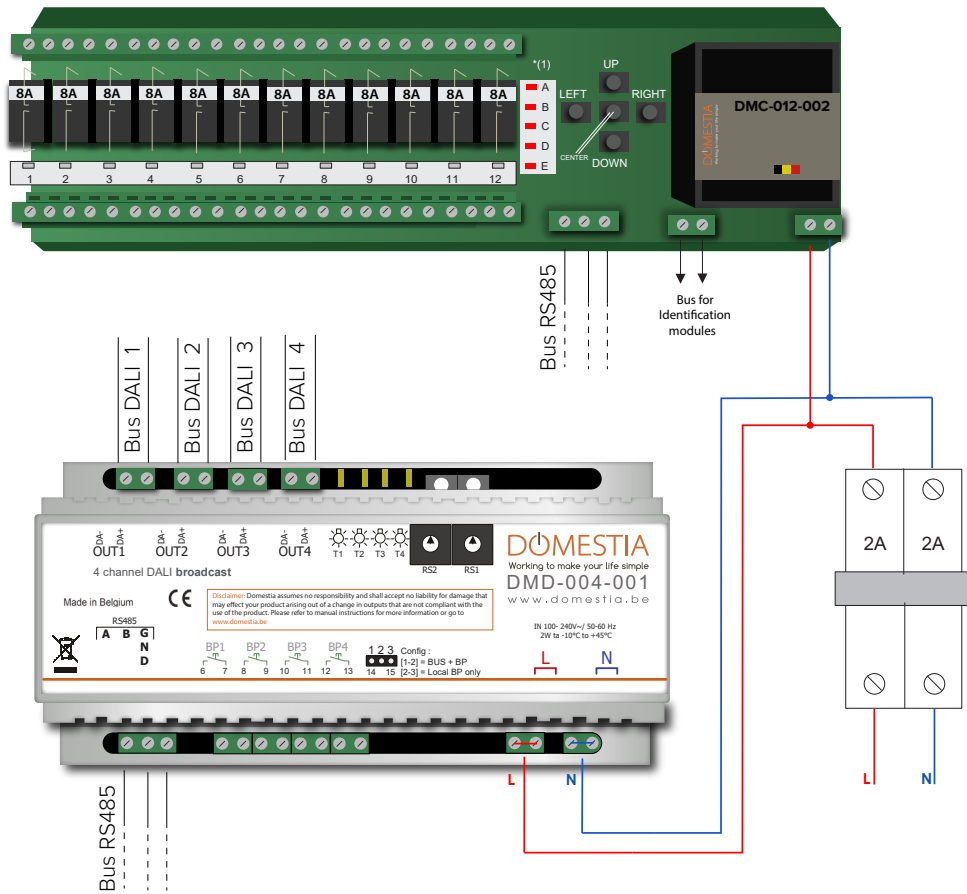


FIGURE A

Connection of the DALI ballasts to the module DMD-004-001 :

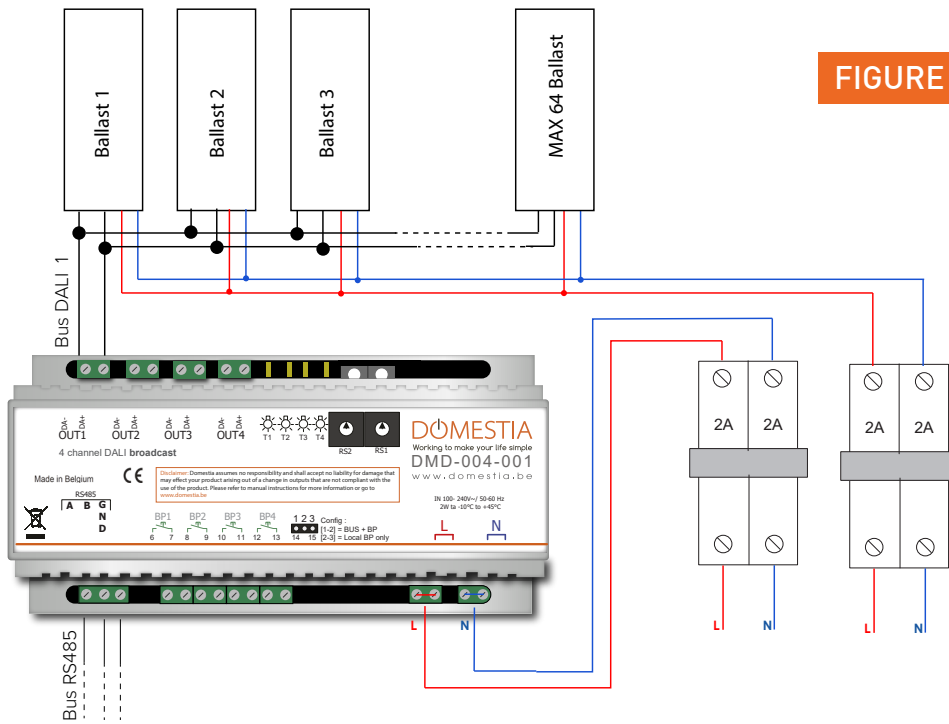
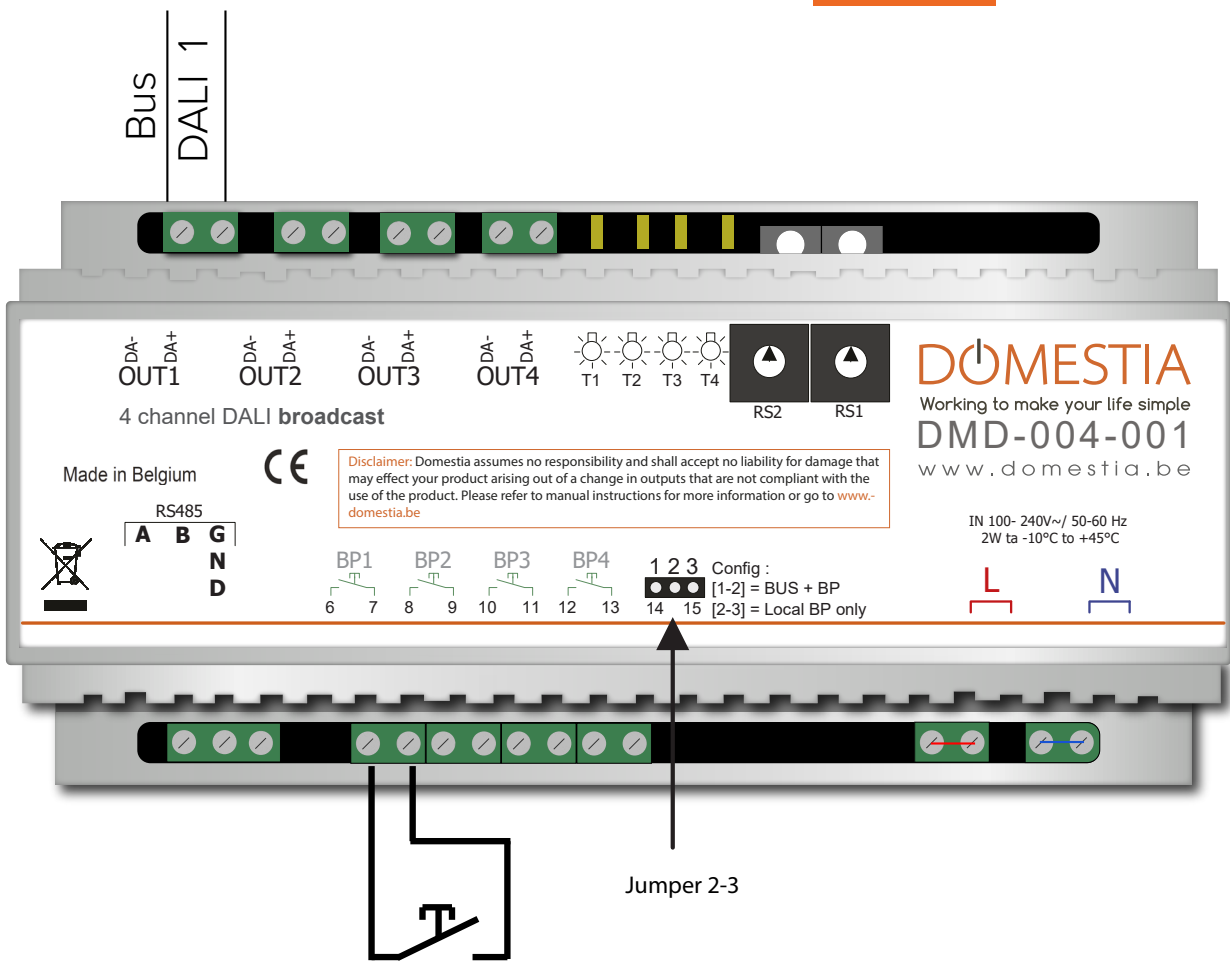


FIGURE B

Function « stand alone » with PB(s) free of potential (Independent from any master module):

FIGURE C



3. ADDRESSING

3.1 CONFIGURATION OF THE DMD-004-001

- I. Cut off the power to the extension module.
- II. With a small, flat screwdriver, turn the addressing dials (code dials) integrated into the circuit and accessible through the slot in the cover to the position of the extension module.

Addressing Dials DMD-004-001

Output numbers

RS2	RS1	
0	1	From 13 to 16
0	2	From 17 to 20
0	3	From 21 to 24
0	4	From 25 to 28
0	5	From 29 to 32
0	6	From 33 to 36
0	7	From 37 to 40
0	8	From 41 to 44
0	9	From 45 to 48

3.2 PROGRAMMING THE MODULE DMC-012-002

I. Cut off the power supply to the master module.

II. Push and hold the RIGHT button while turning the power back on. The LEDS A, B and E should be lit. if this is not the case, use the UP and DOWN buttons until the LEDS A, B et E are lit.

CODE LED

Output numbers

1,2	From 13 to 24
1,2,3	From 25 to 36
1,2,3,4	From 37 to 48

III. Using the buttons LEFT and RIGHT and the LEDS 1 to 4 (the outputs), select the total number of outputs you have for your installation.

IV. Validate by pushing the CENTER button..

3.3 CONFIGURATION OF THE DMC-008-001 MASTER CARD

I. Menu 7.2 of the DMC-008-001 card is used to select the master mode

II. Press UP or DOWN to change the mode.

III. Then confirm with ENTER.

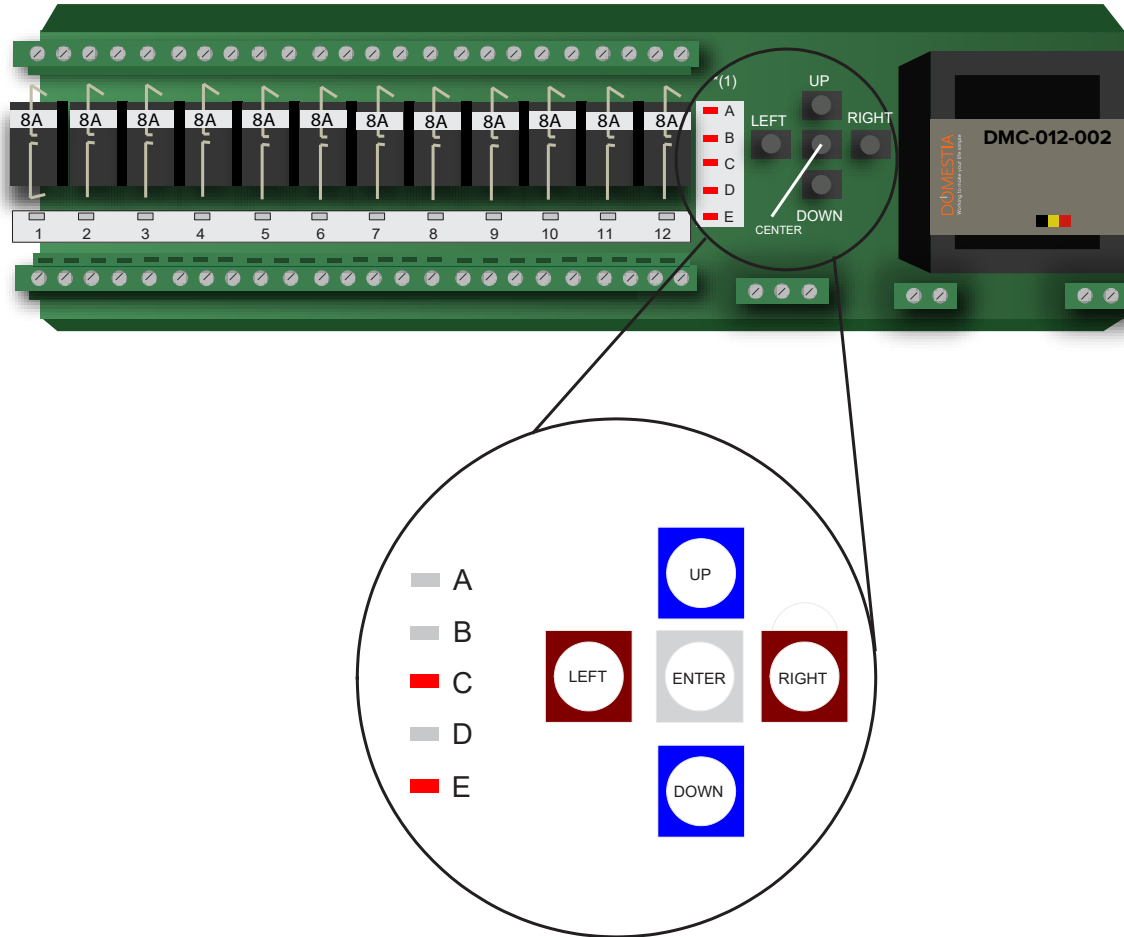
Reminder: There can only be one master card on an installation.

4. PROGRAMMING

Les modules DMD-004-001 must be programmed in **relay mode**, with LEDS « C » and « E » lit (see « Figure B » users manual of the module DMC-012-002).

Once you have selected the Relay mode, Use the LEFT and RIGHT buttons to select a dimmable output. The LED indicator of the selected output is now blinking.

- I. Validate by pushing on the CENTER button. The LED of the selected output is now lit and the power is sent to that output.
- II. Press the PB switch that will pilot this output. (When pushing on the PB, the power supply of this output is interrupted for a brief instant : this indicates that the addressing process has been registered.)
- III. Repeat this procedure for each PB switch you wish to associate to this same output.
- IV. To exit the Relay mode, push the CENTER button to confirm, then as many times as necessary the UP button to return to the FUNCTION mode (LEDS A and E lit).



5. FUNCTIONING

As long as you press and hold the Push Button (PB) switch, the associated output will be dimmed or increased in intensity. A brief push on the PB when the output is « lit », will turn it off. A brief push on the PB when the output is « off », will « light » the output to the last luminosity applied to this output.

6. ERROR CODES

Normal Function :

The LED indicator light (situated under the relays) associated to the output is « lit » (not blinking) when active, and « off » when the output is inactive.

In case of abnormal functioning, the below table gives you an insight into possible solutions.

STATUS	PROBLEM	CAUSES POSSIBLES
The LEDs 1 to 4 light up in sequence.	Impossible to control the lights	Verify the connections to the bus RS485 (connection between the DMD-004-001 and the master module)

7. TECHNICAL CHARACTERISTICS

ELECTRICAL CHARACTERISTICS

- Power supply : 100-240VAC / 50-60Hz.
- Consumption in « off » position : 2 W
- Maximum 64 ballasts per bus DALI
- The push button switches (PB) must be free of potential

TEMPERATURE EXTREMES

- Stockage : -30°C to + 65°C
- Functioning : -10°C to +45°C

8. WARRANTIES

CONDITIONS OF THE WARRANTY

The basic duration of the warranty of the product is 2 years from the date of reception of your order. Whatever the problem may be concerning the article, keep your sales receipt, with the serial number, as this is the sole document validating your purchase.

The warranty will not apply under the following conditions :

- Damages caused by unadapted or abusive use, poor maintenance or non respect of directives given by the manufacturer in the users manual. Any attempts for repairs by the customer or any other unauthorized third party. Damages caused by accidents, natural catastrophies or any other causes for which Domestia cannot be held responsible.
- Defects that do not effect the correct functioning or use of the material.

DOMESTIA

Rue Hector Denis 114
4420 Montegnée
Belgium

Tel +32 4 372 07 16

Fax +32 4 372 07 19

info@domestia.be

