

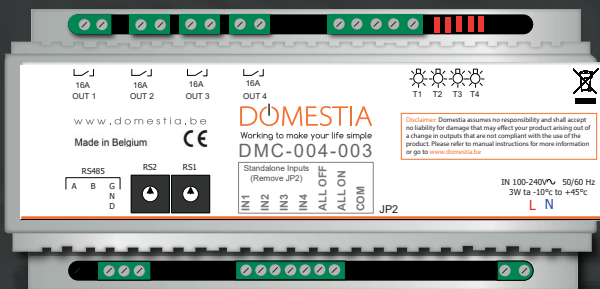
DOMESTIA

Working to make your life simple



USERS MANUAL

DMC-004-003 | Extension module 4 outputs



www.domestia.be



1. DESCRIPTION

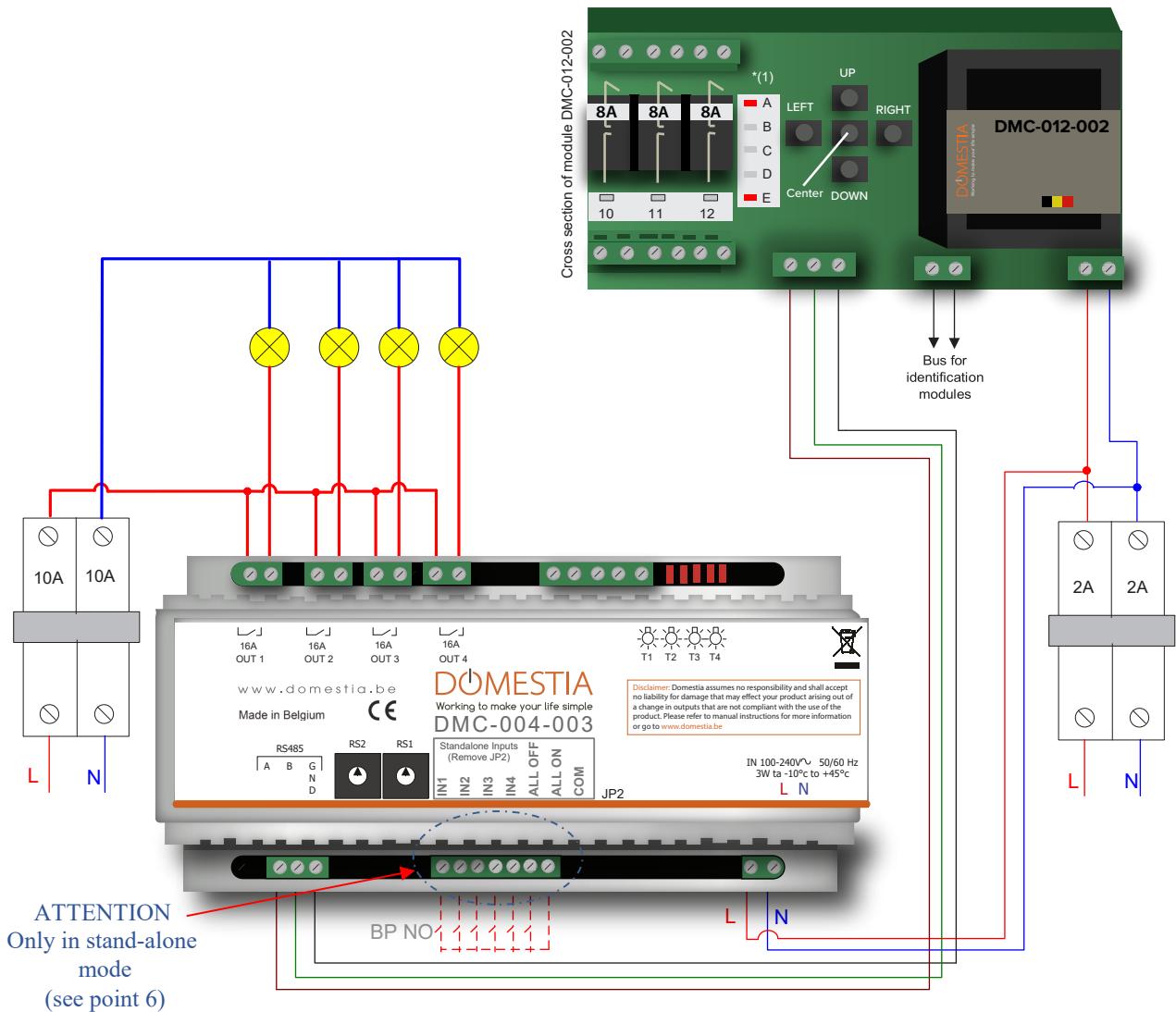
The module DMC-004-003 is an extension module 4 outputs (relays).

2. CONNECTIONS

The extension module 4 outputs DMC-004-003 will function in « slave » mode with :

- **The module relay outputs DMC/DKS-012-002**
- **The module DMC/DKS-008-001**
- **The command module DME-LAN**

For the connection with the module **DMC/DKS-012-002**, refer to the drawing figure A.
For connection and programming with a DMC/DKS-008-001 8-output relay card or a DME-LAN-002 control card, please refer to the operating instructions of the relevant modules.



The basic module DMC-012-002 (Programmed as master – **see instruction 3.2**) occupies the addresses from 1 to 12 and the module DMC-004-003, the addresses from 13 to 48 (**see instruction 3.1**)

3. ADDRESSING

3.1 PROGRAMMING OF THE MODULE DMC-004-003

- I. Cut off the power to the extension module.
- II. With a small flat screwdriver, Turn the addressing dials (code dials) integrated into the circuit and accessible through the slot in the cover, to the position of the extension module.
- III. Turn the power supply of the extension module back on.

Addressing Dials DMC-004-003		Output coordinates
RS2	RS1	
0	1	13 to 16
0	2	17 to 20
0	3	21 to 24
0	4	25 to 28
0	5	29 to 32
0	6	33 to 36
0	7	37 to 40
0	8	41 to 44
0	9	45 to 48

3.2 PROGRAMMING THE MASTER MODULE DMC-012-002

- I. Cut off the power supply to the “master” module.
- II. Push and hold the right button while turning the power back on. The LEDs **A, B and E** should be lit. if this is not the case, use the UP and DOWN buttons until the LEDs **A, B and E** are lit.
- III. Using the buttons LEFT and RIGHT and the LEDs **1 to 4** (the outputs), select the total number of outputs you have for your installation.
- IV. Validate by pushing the CENTER button.

Code LED	Output numbers
1, 2	13 to 24
1, 2, 3	25 to 36
1, 2, 3, 4	37 to 48

3.3 CONFIGURATION OF THE DMC-008-001 MASTER CARD

- I. Menu 7.2 of the DMC-008-001 card is used to select the master mode
- II. Press UP or DOWN to change the mode.
- III. Then confirm with ENTER.

Reminder: There can only be one master card on an installation.

4. PROGRAMMING

Select the correct mode for programming using the 5 buttons on the module (see the users manual basic kit DMC-012-002).

Once the mode has been chosen, use the LEFT and RIGHT keys to select the televaried output. The LED of the selected output flashes.

- IV. Validate by pushing the CENTER button. The LED of the selected output stays lit and the power is sent to the selected output.
- V. Push on the PB switches that will command this output. Pushing on this PB will briefly interrupt the power supply to the output : this indicates that the addressing process has been registered.)
- VI. Repeat this procedure for each PB switch you wish to associate to this same output.
- VII. To exit the Relay mode, push the CENTER to confirm, Then as many times as necessary the UP button to return to the FUNCTION mode (LEDS A and E lit).

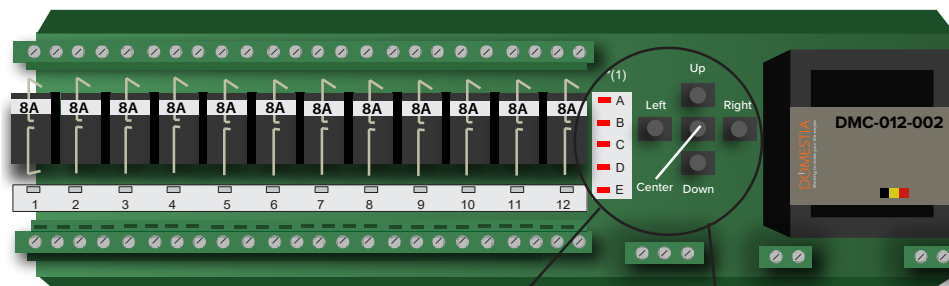
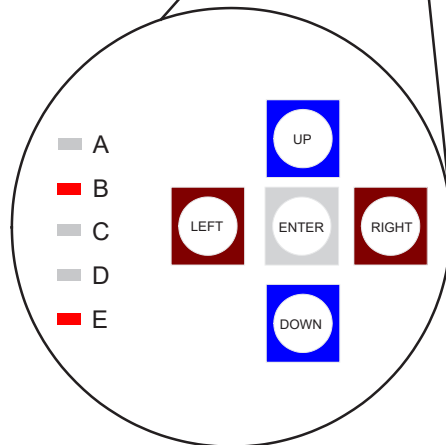


FIGURE B



5. ERROR CODES

Normal function :

The LED indicator light (situated under the relays) associated to the output is lit (not blinking) when active, and off when the output is inactive.

In case of abnormal functioning, the below table gives you an insight into possible solutions.

STATUS	Problem	Possible causes
The LEDs 1 to 4 light up one after the other.	Impossible to command the lights with the PB switches.	<ul style="list-style-type: none">-Verify the connections of the bus RS485 (connection between the DMC-004-003 and the master module).• There is no power supply to the master module.

6. OPERATING IN "STAND ALONE" MODE

- Briefly pushing on the BP when the output is lit, will turn it off. Briefly pushing on the PB when the output is off, will turn it on.
- The command ALL OFF, allows you to turn off all the outputs. The command ALL ON, allows you to turn on all the outputs.
- Note: the push buttons "NO: Normally Open" must be connected between the common connector 16 and the (input connectors 10-11-12-13-14-15)
- **Reminder: in "Stand alone" mode, you do not need to use the identification modules (DMI-006-001).**

7. TECHNICAL CHARACTERISTICS

ELECTRICAL CHARACTERISTICS

- Power supply : 100-240VAC/50-60Hz

TEMPERATURE EXTREMES

- Stockage : -30°C to + 65°C
- Functioning : -10°C to +45°C

8. WARRANTIES

CONDITIONS OF THE WARRANTY

The basic duration of the warranty of the product is 2 years from the date of reception of your order. Whatever the problem may be concerning the article, keep your sales receipt, with the serial number, as this is the sole document validating your purchase.

The warranty will not apply under the following conditions :

- Damages caused by unadapted or abusive use, poor maintenance or non respect of directives given by the manufacturer in the users manual. Any attempts for repairs by the customer or any other unauthorized third party. Damages caused by accidents, natural catastrophies or any other causes for which Domestia cannot be held responsible.
- Defects that do not effect the correct functioning or use of the material.

9. NORMES

9.1. EMISSION

- Emission EN 55022 class B
- Emission radiating 30-1000MHz
- Emission conducting on the power supply 230VAC 150k-30MHz
- Emission current disturbance on the bus 150k-30MHz(current pinching)
- EN 61000-3-2 Harmonic Emission to 2kHz
- EN 61000-3-3 Flicker Emission

9.2 IMMUNITY

9.2.1 ENVELOPE

- EN 61000-4-2 electrostatic discharge 8kV/air (insulated portion=box)criteria B
- EN 61000-4-3 Immunity to field RF 80MHz-2GHz 10V/m in criteria B

9.2.2 LIGNES AC 230V

- EN 61000-4-4 burst 2kV in criteria B
- EN 61000-4-5 chock wave 2kV between phase and ground, 1kV between phases, all in criteria B
- EN 61000-4-6 inducted signals due to RF field 150kHz-80MHz 3V_{in} in criteria A, or 10V in criteria B
- EN 61000-4-11 dips and cutoffs in tension 70%U during 3 x 0.3s, then 0% during 3 x 0.1s in criteria

9.2.3 TESTS SECTOR

- EN 50090-2-2 from 1996 + A1 from 2002
- Circuit insulation EN 60664 - 1



DOMESTIA

Rue Hector Denis 114
4420 Montegnée
Belgium

Tel +32 4 372 07 16

Fax +32 4 372 07 19

info@domestia.be

