

# USERS MANUAL extension module 4 dimmable outputs (4x 0/1-10V) : DMA-004-004

## 1 DESCRIPTION

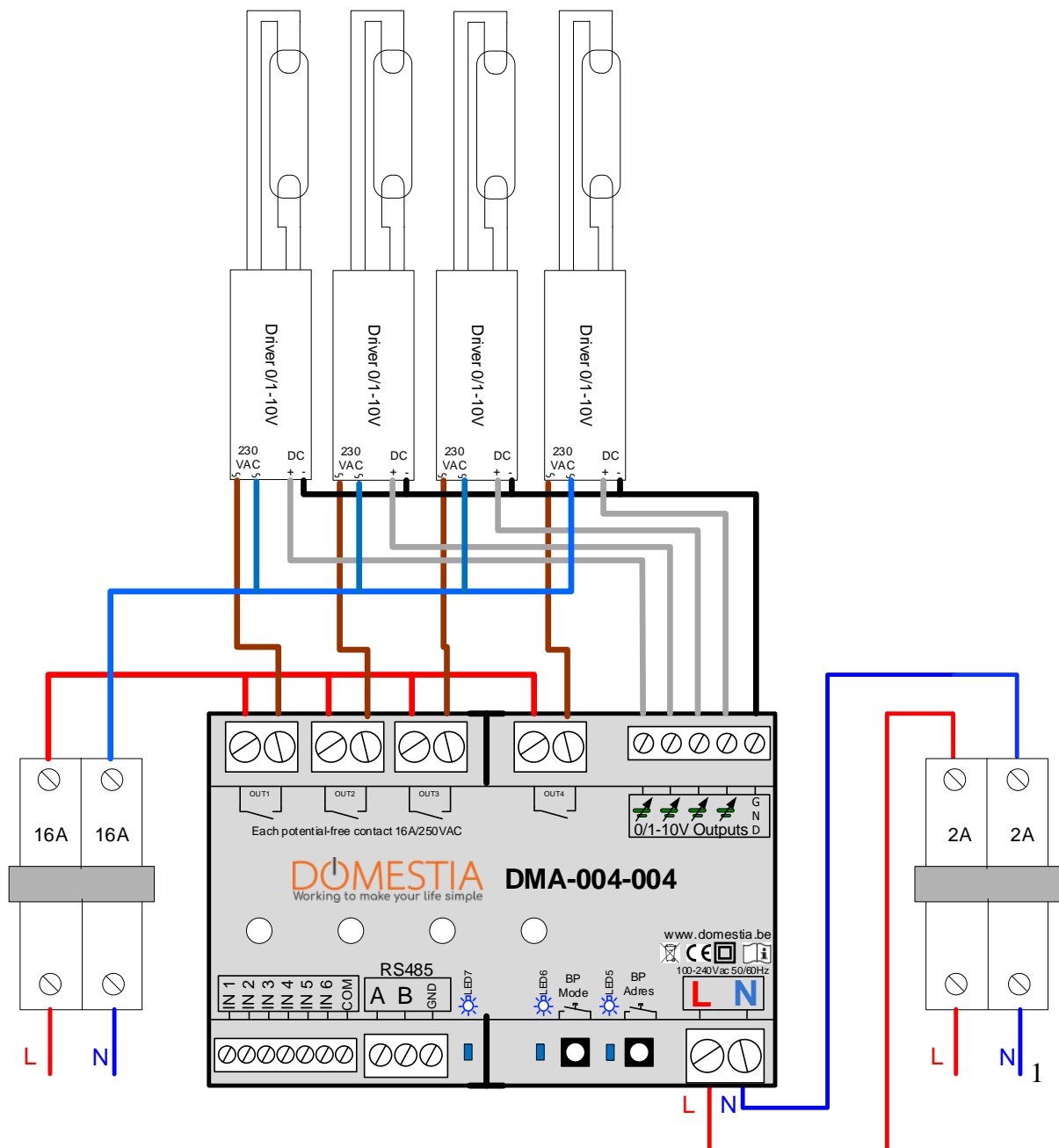
With the module DMA-004-004 it's possible to control and dim dimmable lights via a signal 0 or 1 à 10V.  
The working mode 0-10V or 1-10V can be selected output by output.

## 2 CONNECTIONS

### 2.1 Connection of the Drivers 0/1-10V on to the module DMA-004-004

Each output consists of a 16A relay and a 0 or 1-10V control voltage output. The relay is used to cut off the 230Vac supply to the lamps when the output is switched off. The voltage control is used to control the lighting intensity of the lamps. The maximum current supplied by each 0/1-10V output is 20mA.

The maximum number of drivers per output depends on the power consumption of the driver used (in general 2mA/driver = 10 drivers).

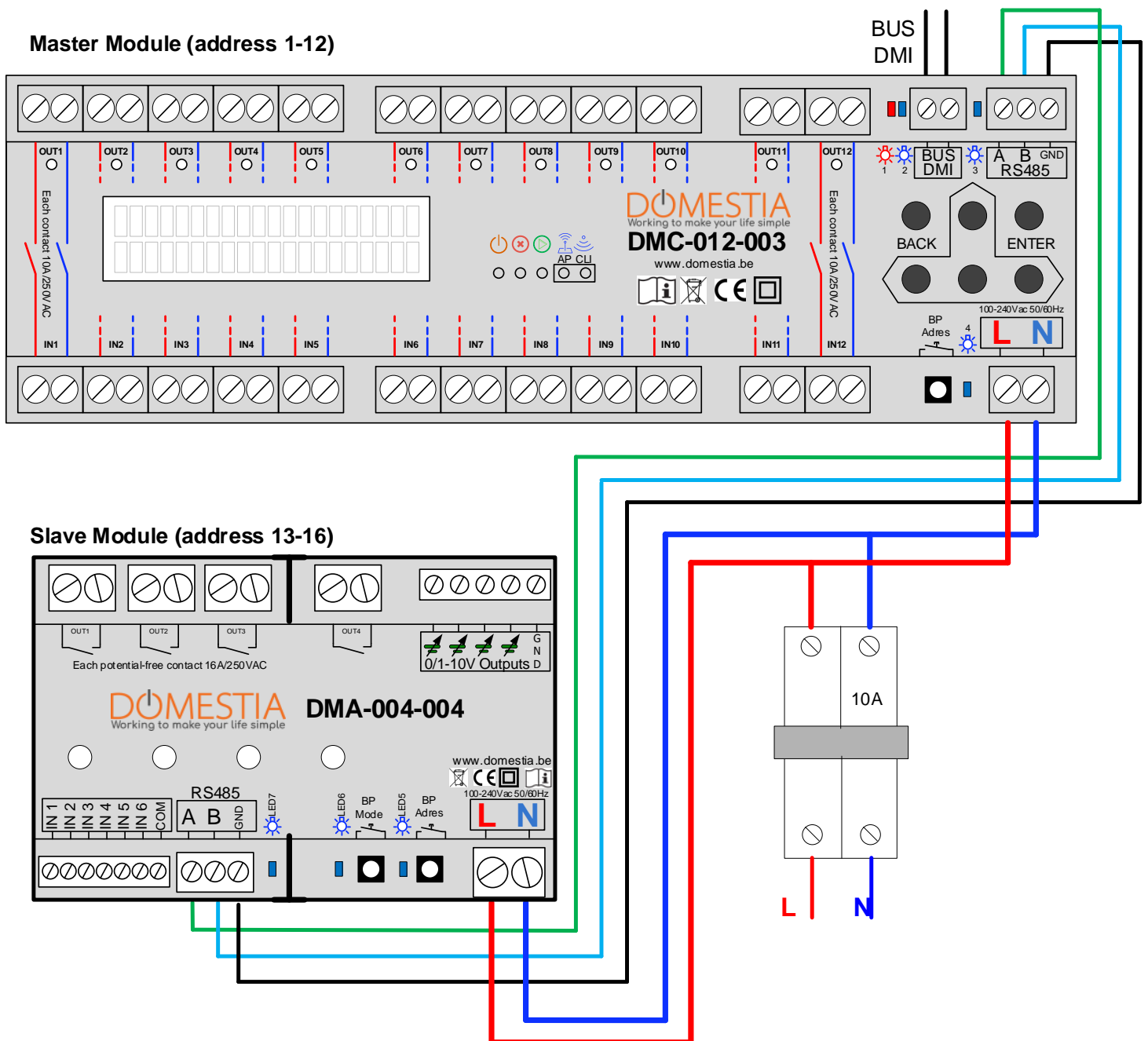


## 2.2 Connection in slave mode

The extension module DMA-004-004 4 outputs can work as a slave module with:

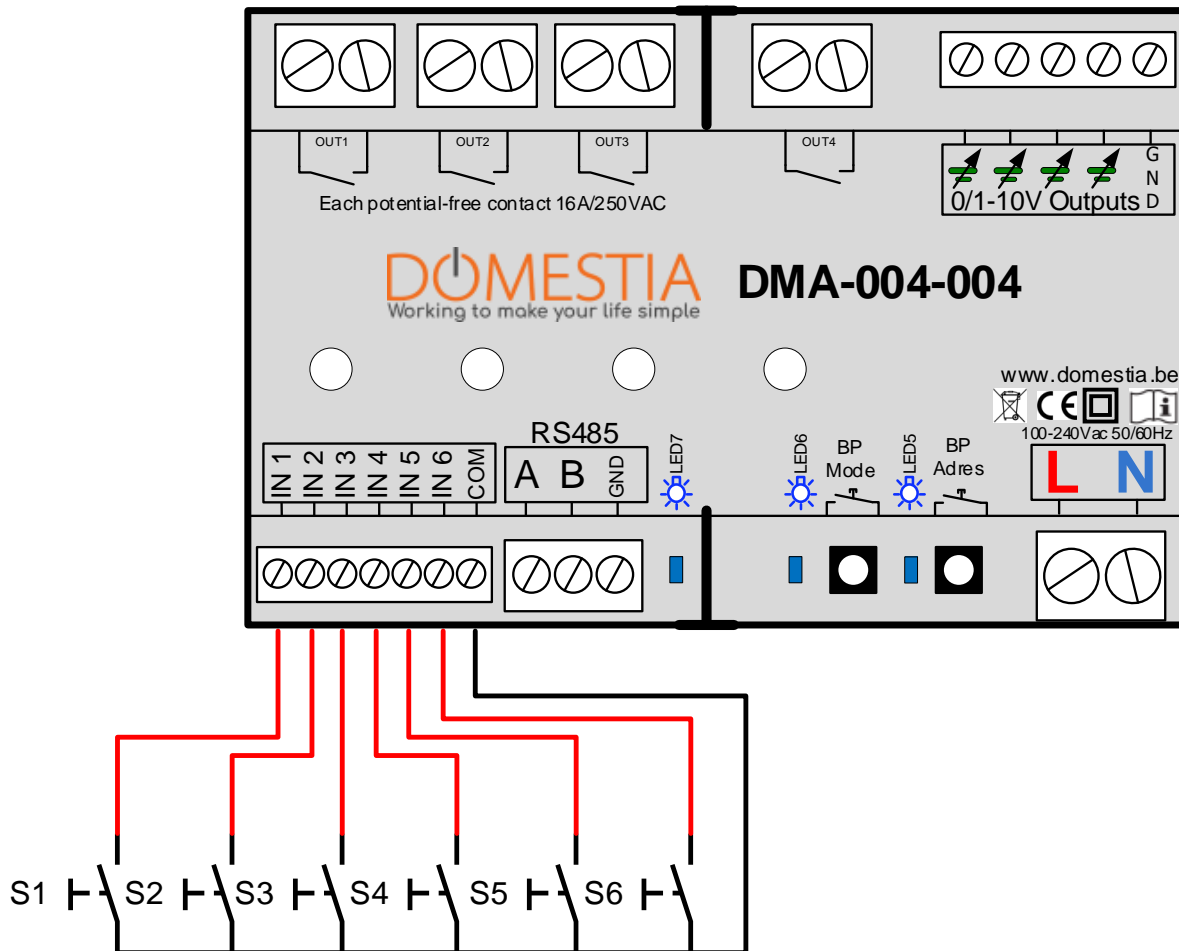
- A master module DMC/DKS-012-00x
- A master module DMC/DKS-008-001
- A control module DME-LAN-
- For the connection and the programming of a control module DME-LAN- refer to the user manual of the DME-LAN-.

Example of connection with a DMC-012-003 as the master module:



## 2.3 Connection in Standalone mode (directly piloted by potential free push-buttons).

The extension module DMA-004-004 4 outputs can work alone in stand-alone mode.



- The « Stand-alone » entries IN 1 à IN 4 allow to directly pilot the outputs OUT 1 à OUT 4.
- The entry IN 5 has the function of switching off the 4 outputs.
- The entry IN 6 has the function of switching on the 4 outputs.
- 

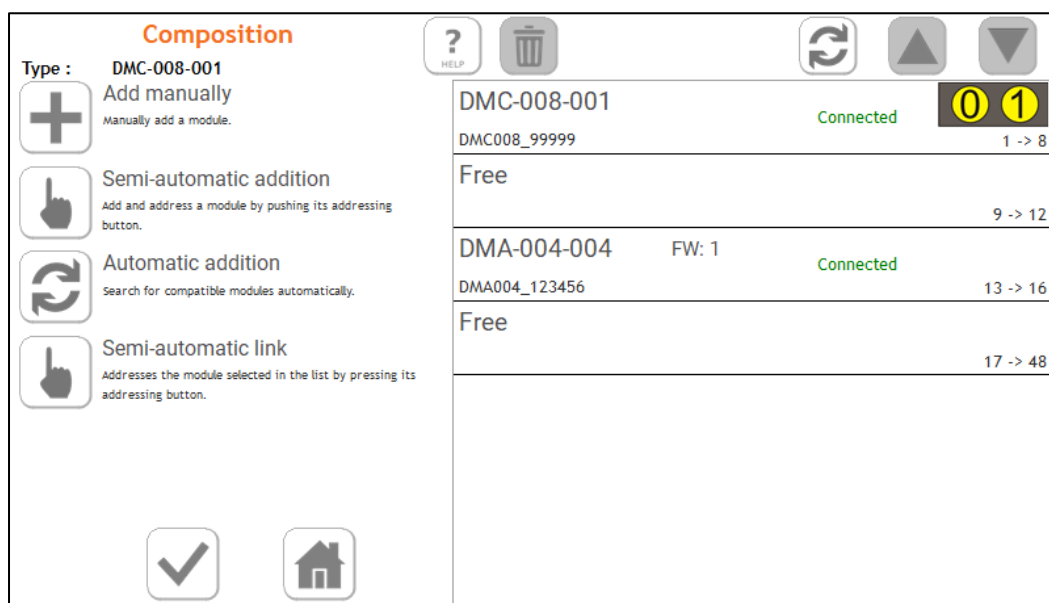
**The entries have to be connected to potential free contacts (for example a push-button). No voltage can be applied to the inputs.**

## 3 CONFIGURATION

### 3.1 Addressing from the app « Domestia Home Manager » (via the master module)

When the module is connected to a master module of type **DMC-008-001** (starting from the micro-software V1.28), **DMC-012-003** or **DME-LAN-002** (starting from the micro-software V3.0) it is then possible to address the **DMA-004-004** module with the programming app “Domestia Home Manager”.

- 1) Automatic addressing: Click on « Automatic addition » => the software analyses the bus RS485 to find the connected modules. After this it is still possible to adapt the module's address with the arrows UP and DOWN.
- 2) Semi-automatic addressing: Click on « Semi-automatic addition » then push on the addressing button of the module(s) DMA-004-004 to add. Click again on « Semi-automatic addition » to end the procedure of adding modules.



### 3.2 Manual addressing

To keep the DMA-004-004 compatible with the old master modules (DMC-012-002, DME-LAN-001) it is possible to address this module with the addressing button BP-Adres.

- 1) Press 4 seconds on the BP-Adres (till the blue LED turns off)
- 2) Then press the number of times corresponding to the desired addressing (see addressing table). The LED indicator lights up with each press. (Maximum delay of 2 seconds between successive presses)
- 3) After a delay of 2 seconds after the last press: the blue LED flashes the number of times the button was pressed to confirm the address.

### 3.3 Reset addressing.

To delete the module's address press the address button for between 10 and 14 seconds. When the button is released, the LED flashes 10x rapidly after a 3 second delay to confirm the action.

**Note:** When the button is pressed, the LED lights up for 4 seconds and then goes out and lights up every two seconds until the button is released.

### Addressing table

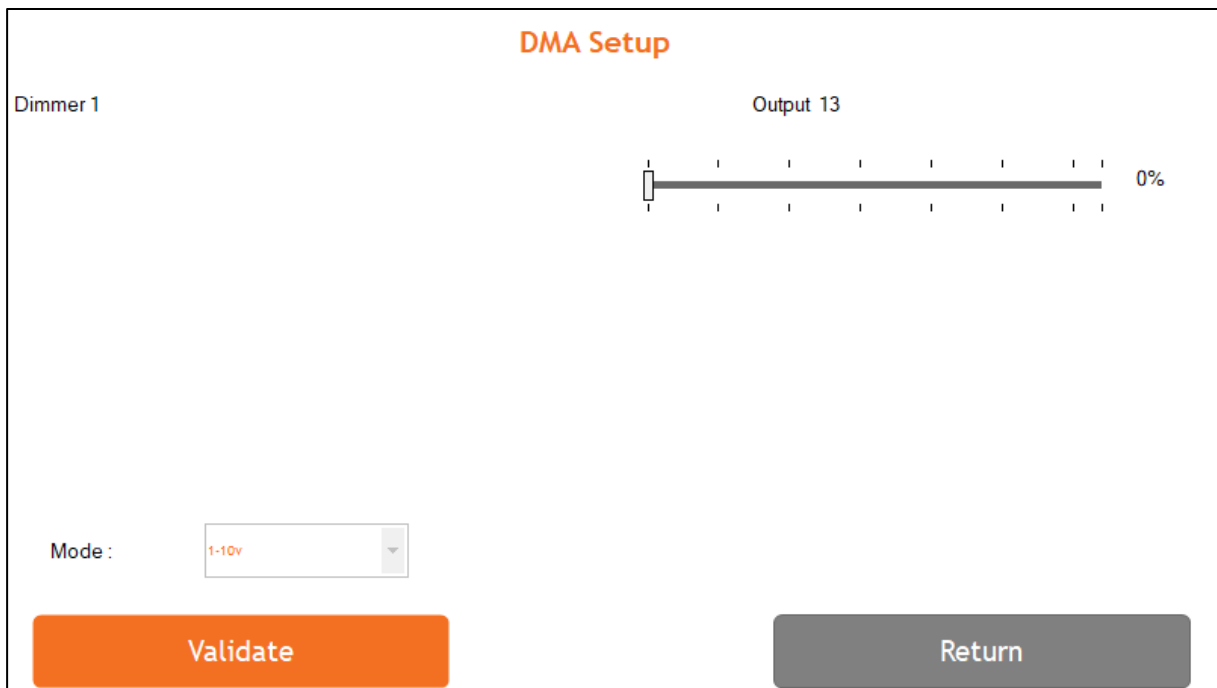
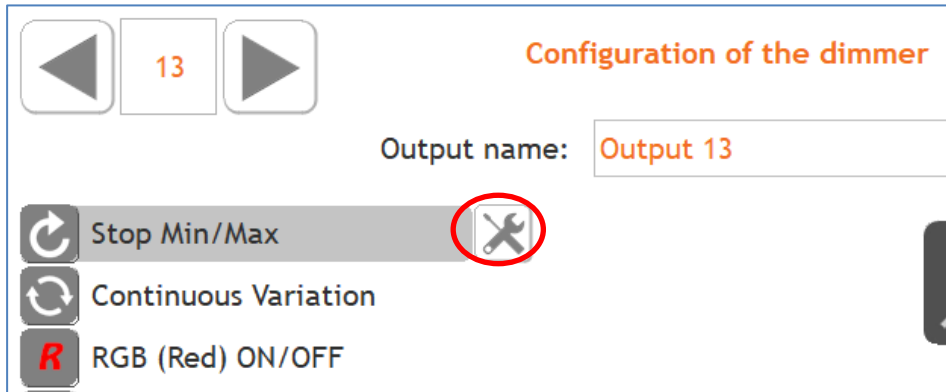
Module's address	Output range
1	13-16
2	17-20
3	21-24
4	25-28
5	29-32
6	33-36
7	37-40
8	41-44
9	45-48
10	49-52
11	53-56
12	57-60
13	61-64
14	65-68
15	69-72
16	73-76
17	77-80
18	81-84
19	85-88
20	89-92
21	93-96
22	97-100
23	101-104
24	105-108
25	109-112
26	113-116
27	117-120
28	121-124
29	125-128
30	129-132
31	133-136
32	137-140
33	141-144
34	145-148
35	149-152
36	153-156
37	157-160
38	161-164
39	165-168
40	169-172
41	173-176
42	177-180
43	181-184
44	185-188
45	189-192

### 3.4. Parameter configuration

#### 3.4.1. Configuration from the app « Domestia Home Manager »

When the module is connected to a master module of type **DMC-008-001** (starting from the micro-software V1.28), **DMC-012-003** or **DME-LAN-002** (starting from the micro-software V3.0) it is then possible to program the **DMA-004-004** module with the programming app "Domestia Home Manager".

From the output configuration window click on the icon



Select the operating mode: 0-10V or 1-10V.

#### 3.4.2. Configuration with the setting button of the module (BP-Mode)

- 1- Press and hold the "BP-Mode" button until the corresponding blue LED goes out. ( $\pm 4$  seconds)
- 2- Select the channel to be set by pressing the "BP Mode" button repeatedly. The flashing LED moves with each press.

3- Press and hold the BP Mode button to activate the selected channel in the setting mode. The LED lights up permanently and the channel lights up at the minimum level.

4- Select 0-10V or 1-10V (default value)

In 0-10V mode LED6 flashes 1x per second

In 1-10V mode LED6 flashes 2x successively every second.

5-To return to the selection of the channel to be set (step 2), press and hold the "BP-Mode" button.

6- To exit the "setting" mode, press "BP-Adres".

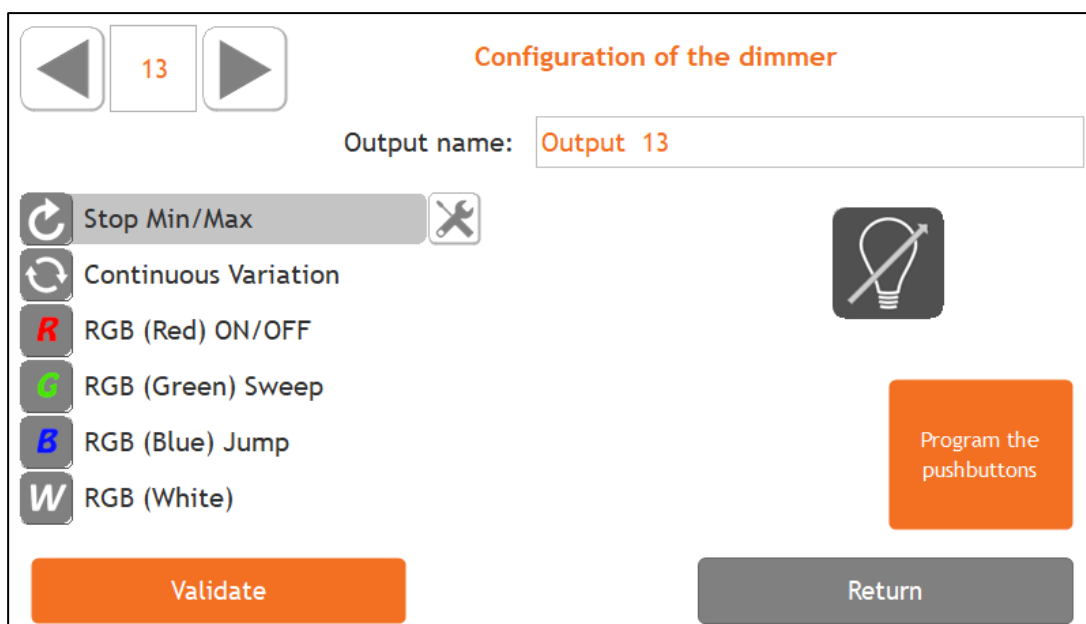
### 3.5 Programmation

#### 3.5.1 Programming from the app « Domestia Home Manager »

a) From the output configuration, click on «Program push buttons" . The dimmer output will light up.

b) Press for at least 2 seconds the push-button(s) that should drive this output to associate them.

c) Click on "Program push buttons" again to exit the programming of this output.



#### 3.5.2 Programming from the buttons of a module DMC-012-003 or DMC-008-001

1) Via the menu "2.1" configure the 4 outputs of the module in "Dimmer Stop" or "Dimmer Continuous" mode (the output numbers depend on the addressing).

2) Via menu "4.1" select the desired output to be programmed and press ENTER. Press for at least 2 seconds the push- button(s) that should drive this output to associate it. Press ENTER again to exit the programming of this output. Repeat the operation for the other outputs.

## 4 FUNCTIONING

---

### 4.1 Functioning in slave mode

As long as a pushbutton (PB) is being pressed, the associated output will be dimmed. Briefly pressing the push button when the output is "on" will turn the output off. Briefly pressing the push button when the output is "off" will "turn on" the output at the last brightness applied to that output.

### 4.2 Functioning in stand alone mode

- By default, inputs 1 to 4 drive outputs 1 to 4 of the module. A short press on the push-button when the output is "on" will turn it off. A short press on the push button when the output is "off" will "turn on" the output at the last brightness applied to that output. Continuous pressing will dim the output.
- Input 5 turns off all outputs. Input 6 will turn on all outputs at the last brightness applied.

Reminder: In stand-alone mode, you don't have to use an identification module. (DMI-006-001)

## 5 ERROR CODES

---

Functioning normally:

The LED associated to the output channel is lit continually when activated, and off when it is inactive.

In case of malfunction, the table below gives a series of error codes.

STATE	Problem	Possible causes
LED 5 doesn't blink (in slave mode)	No communication with the master module	Verify the connections of the RS485 (between the DMA-004-004 and the master module). Master module not present or no power supply to the Master. Master module not configured as a master.
LEDs 1 à 4 lights on (each) in turn.	Impossible to control the lights.	Verify the connections of the RS485 (between the DMA-004-004's and the master module).

## 6 TECHNICAL CHARACTERISTICS

---

### Functional characteristics

- Variation of the outputs from 0 à 10V or 1 à 10V in 64 levels.
- 6 inputs Stand Alone (to use with potentialfree contacts))

### Electrical characteristics

- Power Supply : 230VAC / 50Hz.
- Own consumption: 2,60 W
- Internal non-replaceable fuses
- Maximum 20mA per 0/1-10V output.
- Relay 16A/250Vac :
  - Maximum AC breaking capacity: 4000 VA (resistive)
  - Maximum start-up current of the relays:
    - 165A max 20ms (incandescent lamps)
    - 800A max 200µs (fluorescent lamps)

### Operating temperature

- Stockage : -30°C to + 65°C
- Functioning : -10°C to +45°C

**CE** Marking: This product complies with all applicable directives. The EU Declaration of Conformity is available on [www.domestia.be](http://www.domestia.be)

## 7 WARRANTIES

---

The duration of your product's basic warranty is 2 years from the purchase date, which must be confirmed with an invoice bearing the name of the seller and the date on which the sale took place and the serial number(s) of your product(s) clearly indicated on the invoice which is the only document representing the warranty.

Excluded from this warranty are all the following cases:

- All defective parts due to negligent use, misuse, incorrect maintenance or installation that does not comply with that specified by the manufacturer (always refer to the installation and user manual provided with the device). Repair attempts made by the customer or a third party are not permitted. Damage caused by accident, force majeure or other causes for which Domestia cannot be held responsible.
- Fault not effecting the proper functioning or proper use of the equipment.

## Domestia

Rue Hector Denis 114  
4420 Montegnée  
Tél : 04/ 372 07 16  
Fax : 04/ 372 07 19  
[info@domestia.be](mailto:info@domestia.be)  
[www.domestia.be](http://www.domestia.be)

