

USERS MANUAL extension module 2 blinds or shutters : DMCV-002-003

1. DESCRIPTION

The module DMCV-002-003 allows you to pilot 2 shutters or blinds motorized in alternative current. (Not suitable for motors running on direct current)

2. CONNECTIONS

The extension module DMCV-002-003 will function in « slave » mode with :

- The module relay outputs DMC/DKS-012-002
- The command module DME-LAN

For the connection with the module DMC(DKS)-012-002, refer to the drawing figure A.

For the connection and programming with the command module DME-LAN, refer to the users manual of the DME-LAN.

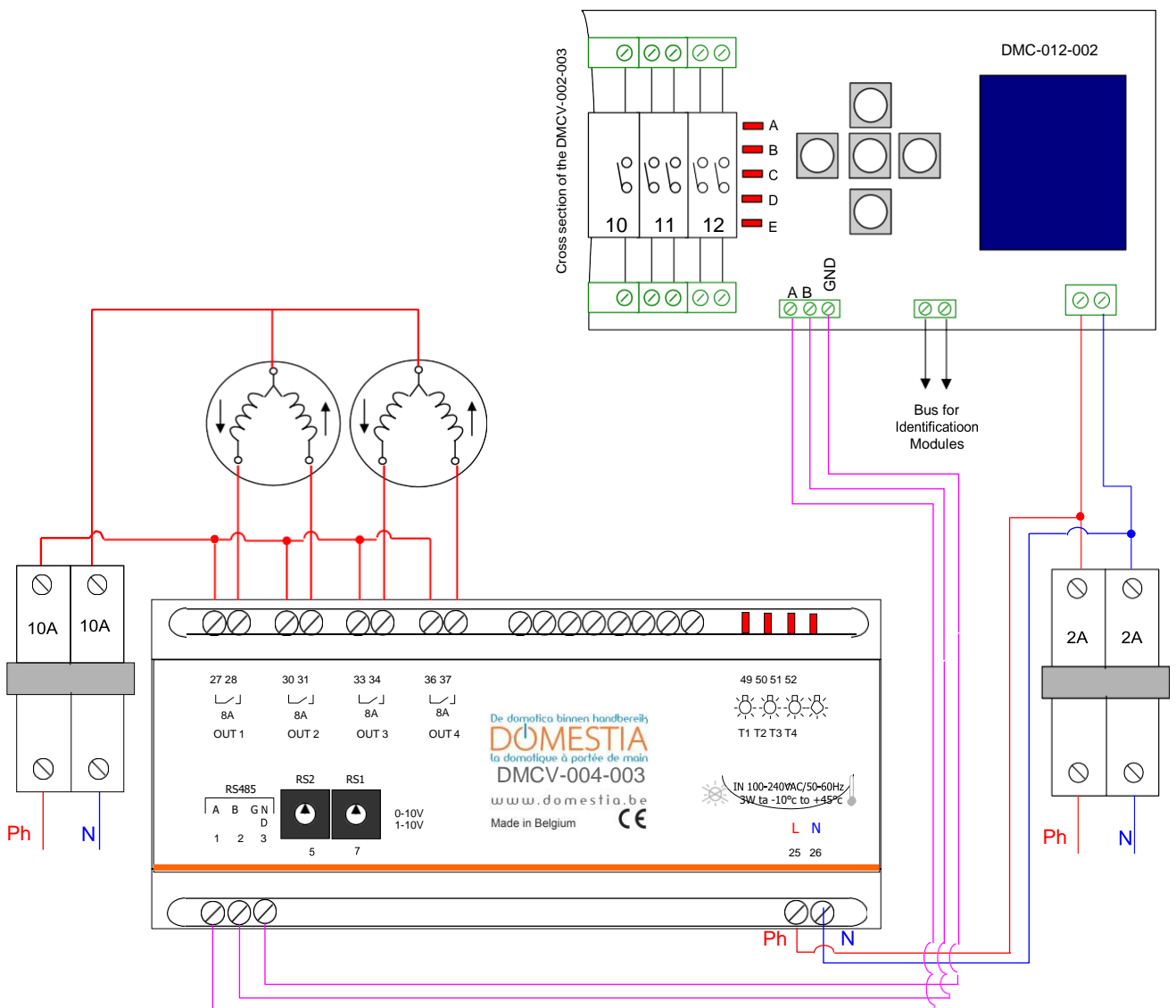


Figure A

The basic module DMC-012-002 (programmed as master – see instruction 3.2) occupies the addresses from 1 to 12 and the module DMCV-002-003, the addresses from 13 to 48 (see instruction 3.1)

3. ADDRESSING

3.1 Programming of the module DMCV-002-003

- I. Cut off the power to the extension module.
- II. With a small, flat screwdriver, turn the addressing dials (code dials) integrated into the circuit and accessible through the slot in the cover to the position of the extension module.
- III. Turn the power supply of the extension module back on.

<u>Addressing Dials</u> DMCV-002-003		<u>Output</u> <u>coordonates</u>
RS2	RS1	
0	1	13 to 16
0	2	17 to 20
0	3	21 to 24
0	4	25 to 28
0	5	29 to 32
0	6	33 to 36
0	7	37 to 40
0	8	41 to 44
0	9	45 to 48

3.2 Programming the master module DMC-012-002 :

- I. Cut off the power supply to the « master » module.
- II. Maintenir la touche DROITE enfoncée tout en remettant la carte sous tension. Les LEDS A, B et E doivent être allumées; si tel n'est pas le cas, utiliser les touches HAUT et BAS jusqu'à l'allumage des LEDS A, B et E.
- III. Using the buttons LEFT and RIGHT and the LEDS 1 to 4 (the outputs), select the total number of outputs you have for your installation.
- IV. Validate by pushing the center button.

<u>Code LED</u>	<u>Output numbers</u>
1, 2	13 à 24
1, 2, 3	25 à 36
1, 2, 3, 4	37 à 48

4. PROGRAMMING

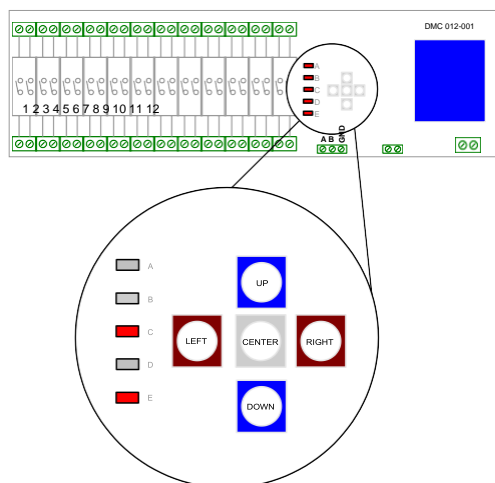
Select the mode you wish for the programming using the 5 buttons of the control module (see the users manual of the basic kit DMCV-006-002).

Once you have selected the mode, use the buttons LEFT and RIGHT (of the control module) to select the output and validate by pushing on the CENTER button. The blinking LED is now lit.

Now go to the room corresponding to the output and push on the PB(s) that will pilot this output.

When you push the PB, the power is sent to the corresponding motor : this indicates that the addressing procedure is registered. Repeat the procedure for each PB that you wish to associate to this same output. When you have selected all the PBs that will pilot this contact, push CENTER to register. Proceed to the next output to continue the programming.

To exit this mode, push as many times as necessary the UP button to return to the FUNCTION mode (LEDS A et E lit).



5. **FUNCTIONING:**

2.1. **Down Mode :**

This is the classic downward movement of the blinds or shutters. As long as you push and hold the PB the command is active.

Pushing briefly on the PB will activate the descent for the duration set on the timer or until the end of its course (point 2.3).

2.2. **UP Mode :**

This is the classic upward movement of the blinds or shutters. As long as you push and hold the PB the command is active.

Pushing briefly on the PB will activate the upward motion for the duration set on the timer or until the end of its course (point 2.3).

6. **OPERATING in « Stand Alone » mode:**

- Briefly pushing on the PB will activate the downward course for 120 seconds. Briefly pushing on the PB will activate the upward course for 120 seconds.
- The input ALL OFF allows you to activate the two in all down movement. The input ALL ON will activate the two in all up movement.
- Note: The push buttons “NO: Normally Open” must be connected between the common connector 16 and the (input connectors 10-11-12-13-14-15)
- **Reminder: In “Stand alone” mode, you do not need to use the identification modules (DMI-006-01).**

7. **ERROR CODES**

Normal Functioning:

The LED associated to the output is lit (not blinking) when the output is active and off when the output is inactive.

In case of abnormal functioning, the table below will give you in insight into the possible solutions.

STATUS	Problem	Possible Causes
The LEDs 1 to 4 light up in sequence.	Impossible to control the lights.	- Verify the connections of the bus RS485 (connection between the DMCV-002-003 and the master module). - There is no power supply to the master module

8. **TECHNICAL CHARACTERISTICS:**

8.1 **DMCV-002-002**

8.2 **Wiring**

- Connection RS485 between modules in the same enclosure : use cables VVT, VOB, UTP, ...
- Connection RS485 between modules at a distance in different enclosures : use cables UTP (one pair for A and B and one pair for GND).
- For the communication terminals, do not exceed a maximum of 1,5mm² ; for power supply terminals, do not exceed a maximum of 2,5mm².

8.3 Temperature extremes

- Stockage : -30°C to + 65°C
- Functioning : -10°C to +45°C

9. WARRANTIES

CONDITIONS OF THE WARRANTY :

The basic duration of the warranty of the product is 2 years from the date of reception of your order. Whatever the problem may be concerning the article, keep your sales receipt, with the serial number, as this is the sole document validating your purchase.

The warranty will not apply under the following conditions :

- Damages caused by unadapted or abusive use, poor maintenance or non respect of directives given by the manufacturer in the users manual. Any attempts for repairs by the customer or any other unauthorized third party. Damages caused by accidents, natural catastrophies or any other causes for which Domestia cannot be held responsible.
- Defects that do not effect the correct functioning or use of the material.

8.1 NORMES: (seeUL)

8.1.1 EMISSION

- Emission EN 55022 class B
- Emission radiating 30-1000MHz
- Emission conducting on the power supply 230VAC 150k-30MHz
- Emission current disturbance on the bus 150k-30MHz(current pinching)
- EN 61000-3-2 Harmonic Emission to 2kHz
- EN 61000-3-3 Flicker Emission

8.2 IMMUNITY

8.2.1 Envelope

- EN 61000-4-2 electrostatic discharge 8kV/air (insulated portion=box)criteria B
- EN 61000-4-3 Immunity to field RF 80MHz-2GHz 10V/m in criteria B

8.2.2 Lines AC 230V

- EN 61000-4-4 burst 2kV in criteria B
- EN 61000-4-5 chock wave 2kV between phase and ground, 1kV between phases, all in criteria B
- EN 61000-4-6 inducted signals due to RF field 150kHz-80MHz 3V in criteria A, or 10V in criteria B
- EN 61000-4-11 dips and cutoffs in tension 70%U during 3 x 0.3s, then 0% during 3 x 0.1s in criteria B

8.2.3 Tests sector

- EN 50090-2-2 from 1996 + A1 from 2002
- Circuit insulation EN 60664 – 1

Domestia
176, rue Jean-Jaurès
4430 Ans
Tél : 04/ 372 07 16
Fax : 04/ 372 07 19
info@domestia.be
www.domestia.be

