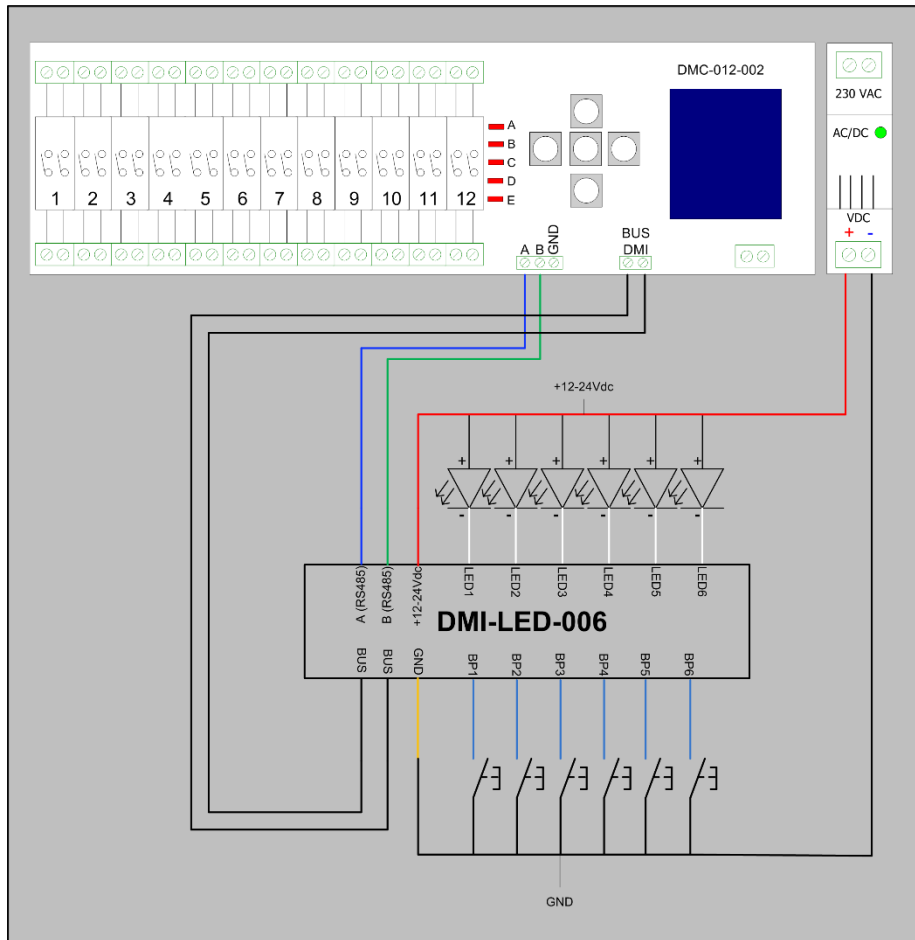


Identification module with LEDs for connecting 6 push-buttons

FIGURE A - Wiring a DMI-LED-006 to a DMC card



1. INSTALLATION

Starting with the base board DMC-012-002 or DME-LAN-002, the DMI-LED-006 modules can be cabled in combination with DMI-006-001 modules or other DMI-LED modules.

For obvious sizing reasons, the DMI-LED-006 module can only be placed in a deep recess!

1.1. WIRING

(See FIGURE A)

The DMI-LED-006 requires an external power supply to power the LEDs. The power supply must be based on the number of LEDs (see LED consumption).

2. OPERATING AND PROGRAMMING

The programming, or more specifically, the connection of a BP input to a DMC board relay is similar to that used by module DMI-006-001. (See DKS-012-002 instructions).

The LED outputs are connected to their respective inputs; the LEDs operate in FeedBack according to the status of the relays managed on the board. (They are lit when the output associated with the board is lit).

Any LED may relate to an output or a group.

3. CONNECTING and/or ASSOCIATION

Connection / Association of several DMI-LED-006 and DMI-006-001:

- Maximum 100 x DMI-LED-006 on the bus (wires 1 and 2).
- Maximum line length 1000m for the bus (wires 1 and 2).
- Line and type of cables based on the elements used such as LEDs.

4. TECHNICAL CHARACTERISTICS

- Maximum voltage at the polarised inputs (5) and (6): 24 VDC.
- Maximum LED voltage: 24 VDC.
- Polarity reversal protection included.
- Power consumption of an empty DMI-LED-004 with no managed LEDs: 10mA.
- Maximum number of input BPs: 6.
- Number of controllable LEDs: 6.
- Maximum intensity per LED 50mA (or 300 mA in total for 6 outputs).
- Identification module bus: 10VDC on 2 non-polarised wires.
- Communication bus: RS485.

5. WARNINGS

This product has passed a series of laboratory tests to meet the standards set out in point 6 below. Here are a few rules to be respected to ensure compliance with these standards :

- Do not create a "rolled" loop with the bus cables (identification module bus and communication bus).
- The power used for the DMI-LED-006 must be stabilised and it must have galvanic insulation relative to the line voltage.
- The output voltage from the power indicated may not exceed 30VDC, which would destroy the DMI-LED-006 module(s), and must be as close as possible to the voltage required for the LEDs.
- Do not expose the product to constraints such as dust from the ceiling installation of a construction site, etc.
- Do not create a short-circuit between the COMMON+ wire and the LED control input.
- Do not short-circuit the plots used for the placement of the jumpers for the LED feedback.
- Use wires with appropriate diameters. In case of an installation requiring a significant number of LEDs, estimate the line voltage properly and use an appropriate cable section.
- Don't hesitate to contact us in case of doubt during start-up.

Failure to respect one of the points above leads to electrical risks and deterioration of the product and thus, the loss of the warranty.

6. WARRANTIES

The length of your product's basic warranty is 2 years from the purchase date set out on the relevant invoice or receipt.

Regardless of the problem concerning your product, please retain your invoice or your receipt, with the serial number, as this is the only document constituting the warranty.

The warranty does not apply in the following cases :

- Damage caused by inappropriate use, improper use, poor maintenance or failure to respect the instructions given by the manufacturer in this user manual. Repair attempts made by the customer or a third party are not permitted. Damage caused by accident, force majeure or other causes for which Domestia cannot be held responsible.
- A fault that does not harm the proper functioning or proper use of the equipment.
- Use of power other than that recommended by us!

7. STANDARDS

EMISSIONS :

Emission EN 55022 class B.  
Radiated emissions 30-1000MHz.  
Emissions on power supply AC 230V 150k-30MHz.  
Interference current emissions on the bus 150k-30MHz (current clamp).  
EN 61000-3-2 Harmonic emissions up to 2kHz.  
EN 61000-3-3 Flicker emissions.

IMMUNITY :

Shell:  
61000-4-2 electrostatic discharges 8kV/air (insulating part=casing) in criterion B.  
61000-4-3 immunity to fields RF 80MHz-2GHz 10V/m in criterion B.  
Bus:  
61000-4-4 burst 0.5kV in criterion A via capacitive clamp.  
61000-4-6 signals induced due to fields RF 150kHz-80MHz 3V in crit. A or 10V in crit. B.